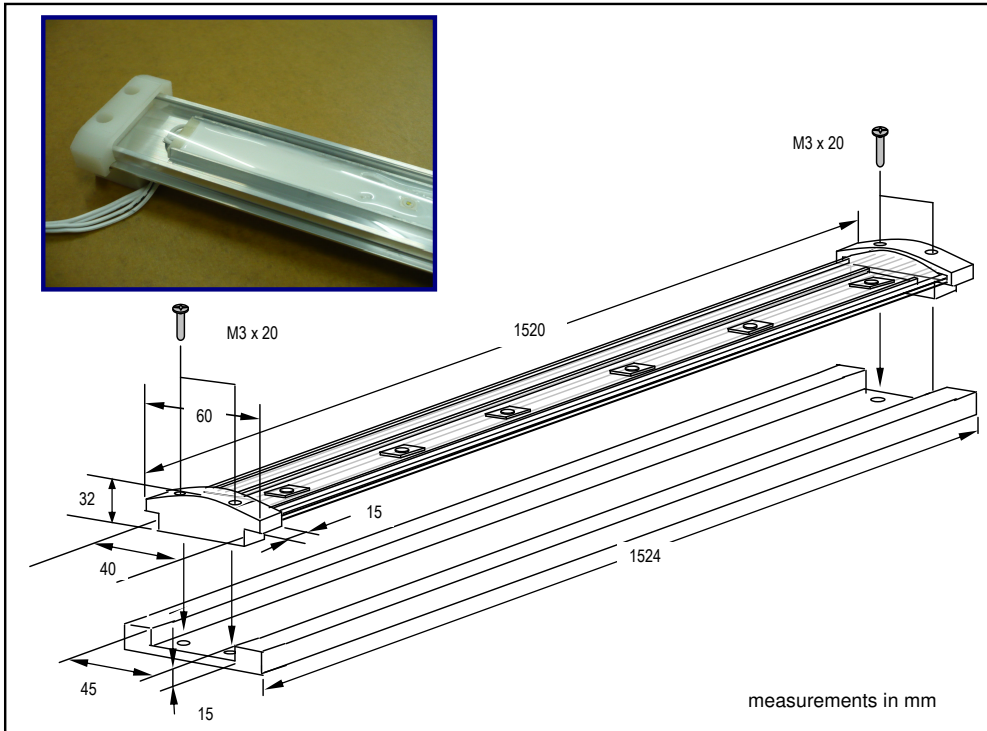


Product Photo

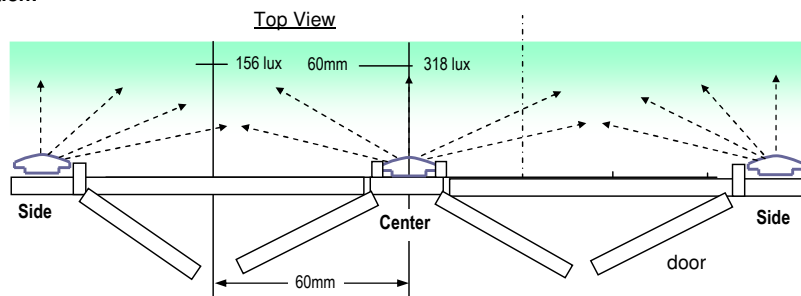
Mechanical Drawing



Specifications

Light Color	Cool White
Model	RLSI-CW-12
Voltage (typ.)	18.5V
Current (max.)	1.4A Max
Power (typ.)	26W
Number of LED	12 pcs
Wavelength (typ.)	5500 ~ 7000K
Brightness (typ.)	1920 lm
Beam angle	160 deg
Size	60 x 32 x 1520mm
Weight	1.15 kg
Housing Material	Aluminum
Operating Temperature	-30 ~ 40 °C

Application:



Environment Conditions

