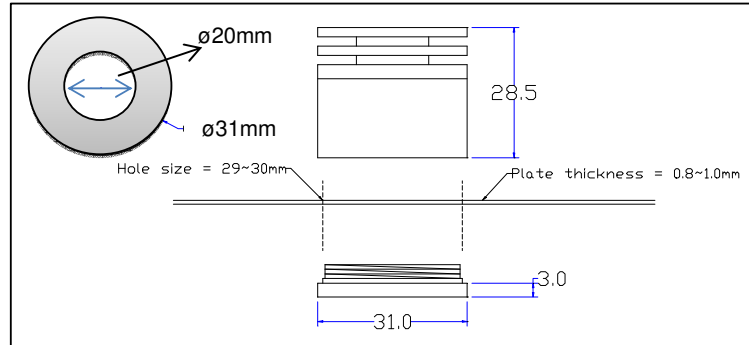


Product Photo



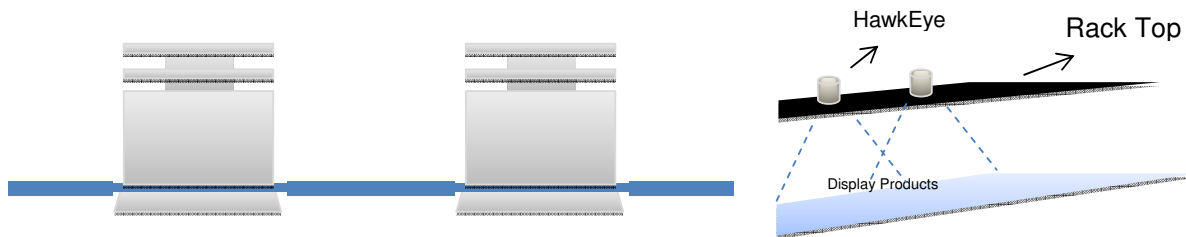
Mechanical Drawing



Specifications

Light Color	Cool White	Neutral White	Warm White
Model	HLR1-CW	HLR1-NW	HLR1-WW
Voltage (typ.)	3.0~4.0Vdc	3.0~4.0Vdc	3.0~4.0Vdc
Current (max.)	700mA	700mA	700mA
Power (typ.)	2.5W	2.5W	2.5W
Number of LED	1pc	1pc	1pc
Wavelength (typ.)	6500K	4000K	3000K
Brightness (typ.)	130lm	130lm	95lm
Beam angle	50deg	50deg	50deg
Size	Dia 31mm x 32.5mm(H)		
Weight	45 grams		
Housing Material	Aluminum		
Operating Temperature	-30 ~ 45 °C		
Housing Temperature			

Application:



Environment Conditions

